

# 医疗电池包

M4S2P14466-MM

MEGMEET

4S2P Battery

电源产品 |

MEGMEET



(L x W x H): 23.00mm x 77.7mm x 150.9mm (max.)  
: 467g ref

- UN38.3
- IEC62133
- GB 28164/31241-2022
- UL 62133-2
- (EU) 2023/1542

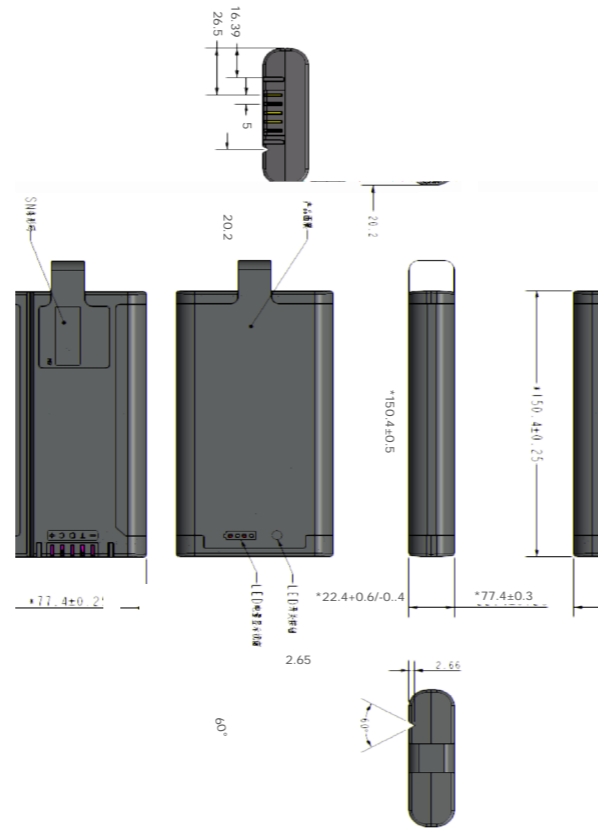
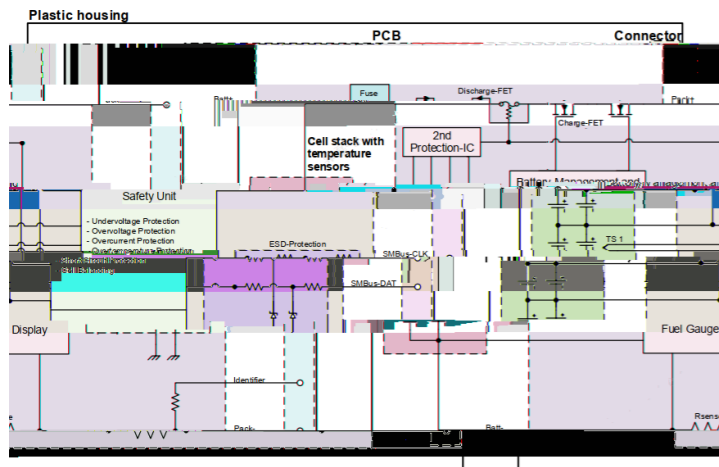
## 产品详情

18650/3.6V/3400mAh
6600mAh
14.4V
10.4-16.8V
CC-CV 16.8V/1.32A, 0.136A
CC 1.32A    10.4V
16.8V
200m
3A
<1A
8.5A
500
70%

## 环境条件

温度范围	0°C to +45°C
	-20°C to +60°C
	< 1 : -20°C to +50°C
	< 3 : -20°C to +45°C
	< 1 : -20°C to +20°C

## 电路框图



Pin		
1	-	Pack-
2	T	NTC/pres
3	D	SMBUS SDA
4	C	SMBUS SCL
5	+	Pack+

# 医疗电池包解决方案

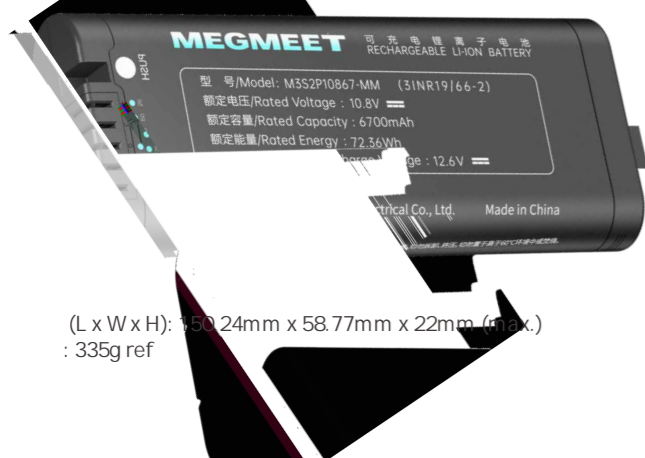
MEGMEET 20



# 医疗电池包

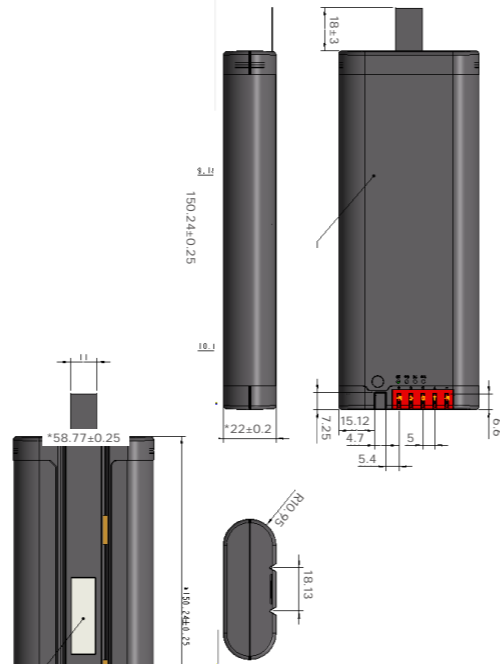
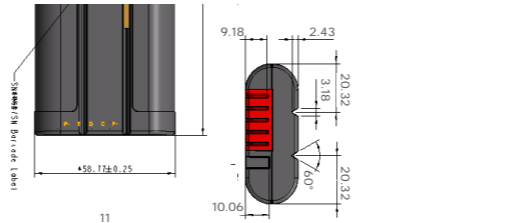
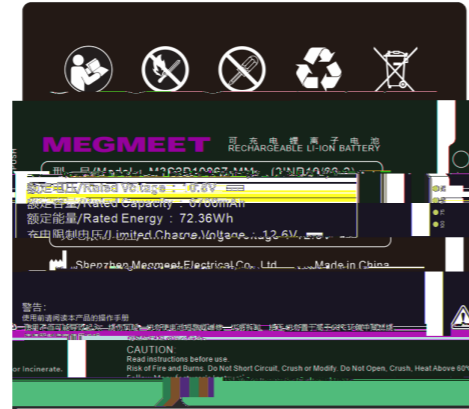
M3S2P10867-MM

3S2P Battery



(L x W x H): 58.24mm x 58.77mm x 22mm (max.)  
: 335g ref

- UN38.3
- IEC62133
- GB 28164
- (EU) 2023/1542



Pin		
-	Pack-	
T	NTC/pres	
D	SMBUS SDA	
C	SMBUS SCL	
+	Pack+	

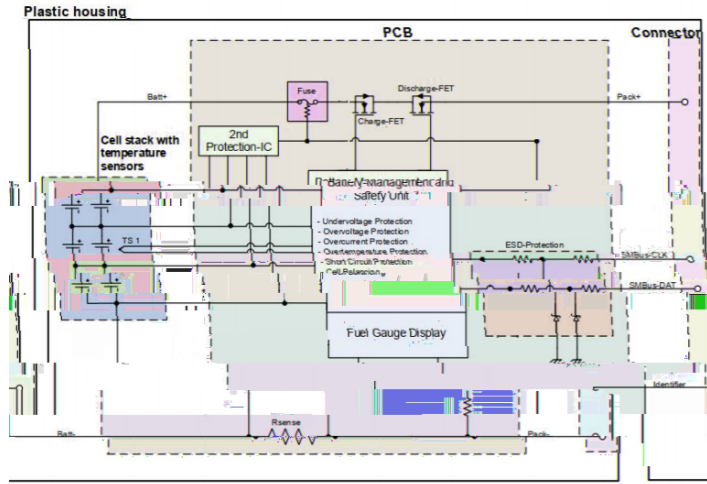
18650/3.6V/3400mAh	
6700mAh	
10.8V	
7.8-12.6V	
CC-CV 12.6V/1.34A, 0.134A	
CC 1.34A	7.8V
12.6V	
200m	
4A	
<1A	
8A	
500	70%

## 环境条件

### 温度范围

- 0°C to +45°C
- -20°C to +60°C
- < 1 : -20°C to +50°C
- < 3 : -20°C to +45°C
- < 1 : -20°C to +20°C

## 功能框图



# 医疗电池包

M4S1P14433-MM

4S1P Battery



(L x W x H): 77.4mm x 85.2mm x 22.4mm (max.)  
: 250g ref

## 产品详情

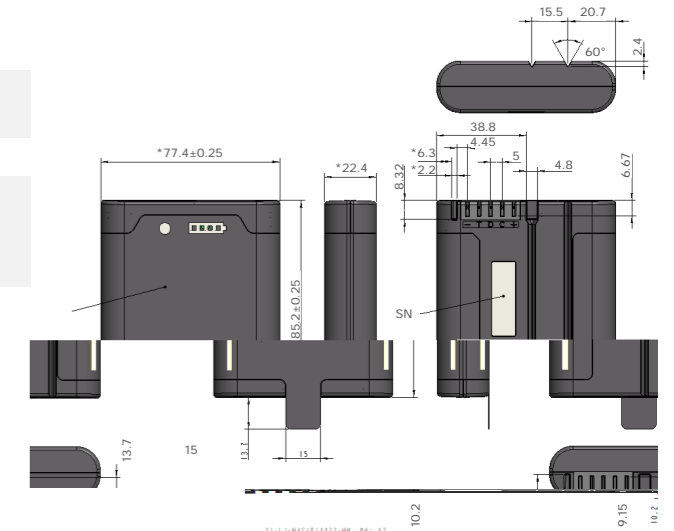
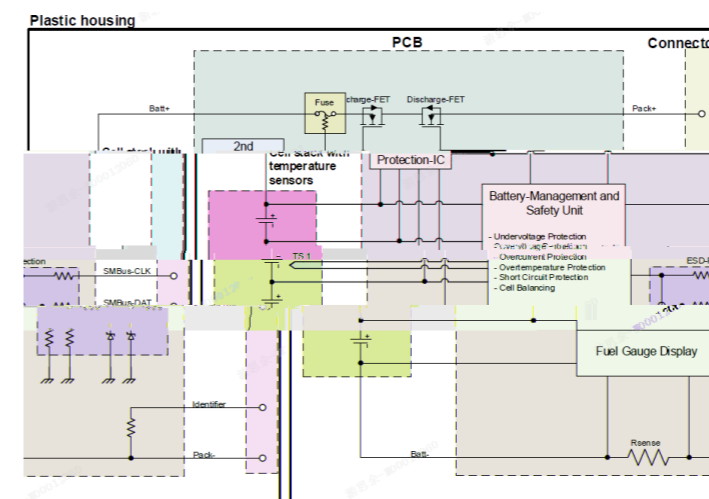
18650/3.6V/3400mAh	
3300mAh	
14.4V	
10.4-16.8V	
CC-CV 16.8V/0.66A, 0.068A	
CC 0.66A	10.4V
16.8V	
200m	
1.6A	
<1A	
5A	
500	70%

## 环境条件

### 温度范围

- 0°C to +45°C
- -20°C to +60°C
- < 1 : -20°C to +50°C
- < 3 : -20°C to +45°C
- < 1 : -20°C to +20°C

## 功能框图



Pin		
1	-	Pack-
2	T	NTC/pres
3	D	SMBUS SDA
4	C	SMBUS SCL
5	+	Pack+